



# AWA Composites LLC Connecting Rod Order Form

Customer Name: \_\_\_\_\_

Phone Number: \_\_\_\_\_

**Engine Type**

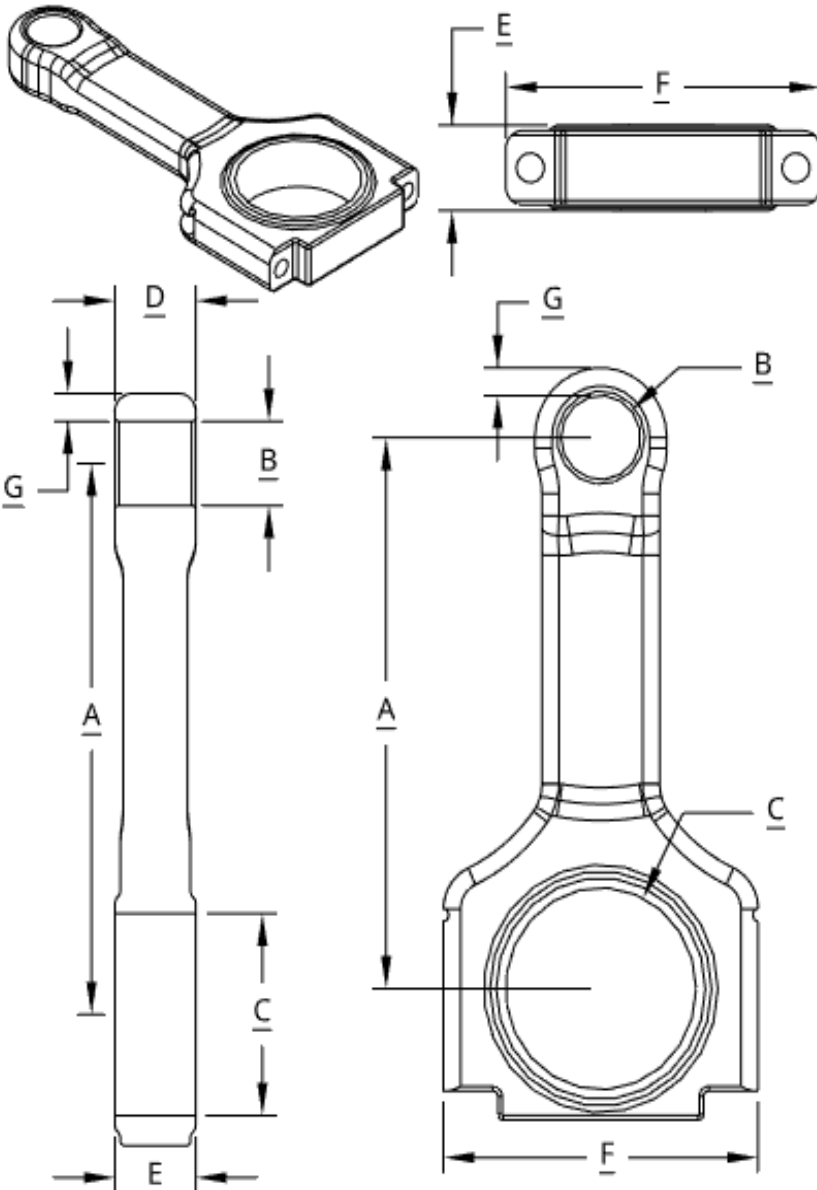
Engine Make: \_\_\_\_\_

Engine Model: \_\_\_\_\_

Max. Expected Horsepower: \_\_\_\_\_

**Usage / Application**

- |                                      |                                     |
|--------------------------------------|-------------------------------------|
| <input type="checkbox"/> OEM         | <input type="checkbox"/> Road Race  |
| <input type="checkbox"/> Drag Race   | <input type="checkbox"/> Marine     |
| <input type="checkbox"/> Diesel      | <input type="checkbox"/> Motorcycle |
| <input type="checkbox"/> Other _____ |                                     |



**Measurements** (units inches if left blank)

- A. Rod Length (C-C) \_\_\_\_\_
- B. Small End Bore \_\_\_\_\_
- C. Large End Bore \_\_\_\_\_
- D. Small End Width \_\_\_\_\_
- E. Big End Width \_\_\_\_\_
- F. Max. Overall BE Width \_\_\_\_\_
- G. Max. Thickness Above Pin \_\_\_\_\_
- H. Quantity \_\_\_\_\_

**All dimensions are accepted as provided by the customer and deemed to be true and accurate. Customer agrees not to resize or modify finished products after receipt of delivery by AWA Composites LLC.**

## Shipping Information

Name: \_\_\_\_\_ Phone: \_\_\_\_\_ Fax: \_\_\_\_\_

Email Address: \_\_\_\_\_ AWA Acct#: \_\_\_\_\_

Address: \_\_\_\_\_

## Billing Information

CC Type: \_\_\_\_\_ CC#: \_\_\_\_\_ CVC#: \_\_\_\_\_

Name on Card: \_\_\_\_\_ Exp: \_\_\_\_\_

Address (if different than billing address): \_\_\_\_\_

50% Deposit (non-refundable): \$ \_\_\_\_\_ Balance upon completion: \$ \_\_\_\_\_

Signature: \_\_\_\_\_

Date: \_\_\_\_\_

### UPON COMPLETION OF THIS ORDER FORM:

1. Email to [AWACOMPOSITES@GMAIL.COM](mailto:AWACOMPOSITES@GMAIL.COM)..
2. AWA will contact you to confirm the specification is this Order Form
3. Lead time as quoted

**Return Policy:** Custom rods may be returned for defects in workmanship or material within 30 days from delivery by AWA. Custom rods may also be returned once per year for a free MRI inspection to test for fatigue. All shipping fees to be paid by customer.

**Contact AWA at 424-903-0211 for return authorization prior to shipping.** Office hours are 9:00 am thru 5:00 pm PST Monday thru Friday.

**Disclaimer:** AWA Composites LLC products are inspected and assigned unique identifiers that are registered for authenticity purposes, according to the application initially specified by the customer. We guarantee the quality of the materials used, processes used, and the dimensional sizes. We have no control over the assembly or customer modification of our parts in the engine. There are no further guarantees either expressed or implied by AWA Composites LLC or any of their agents or representatives. Due to the nature of high performance applications, AWA Composites LLC products are sold without warranty of merchantability or fitness or purpose, express or implied. AWA Composites LLC shall not under any circumstances, be liable for any special, incidental, or consequential damages, including, but not limited to, damages or loss of other property of equipment, bodily injury, loss of profits or revenue, cost of purchased or replaced goods, or claims of customers of the purchaser which may arise and/or result from the sales, installation or use of these parts.